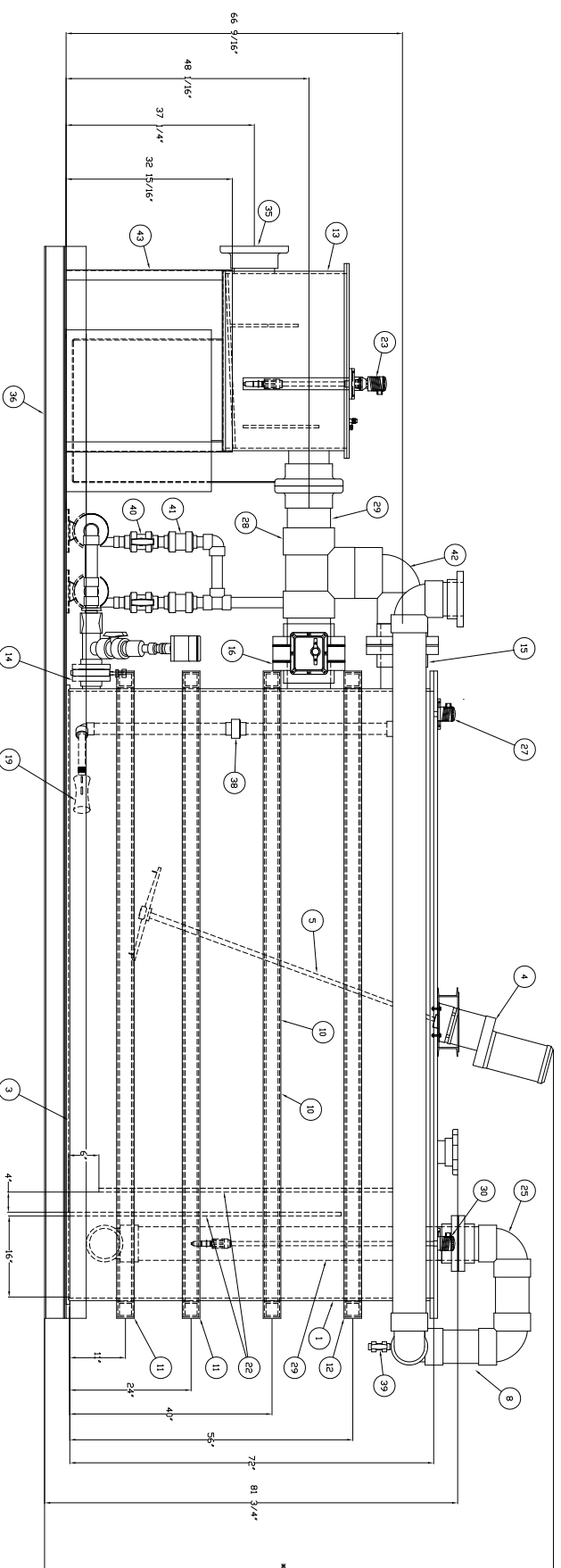
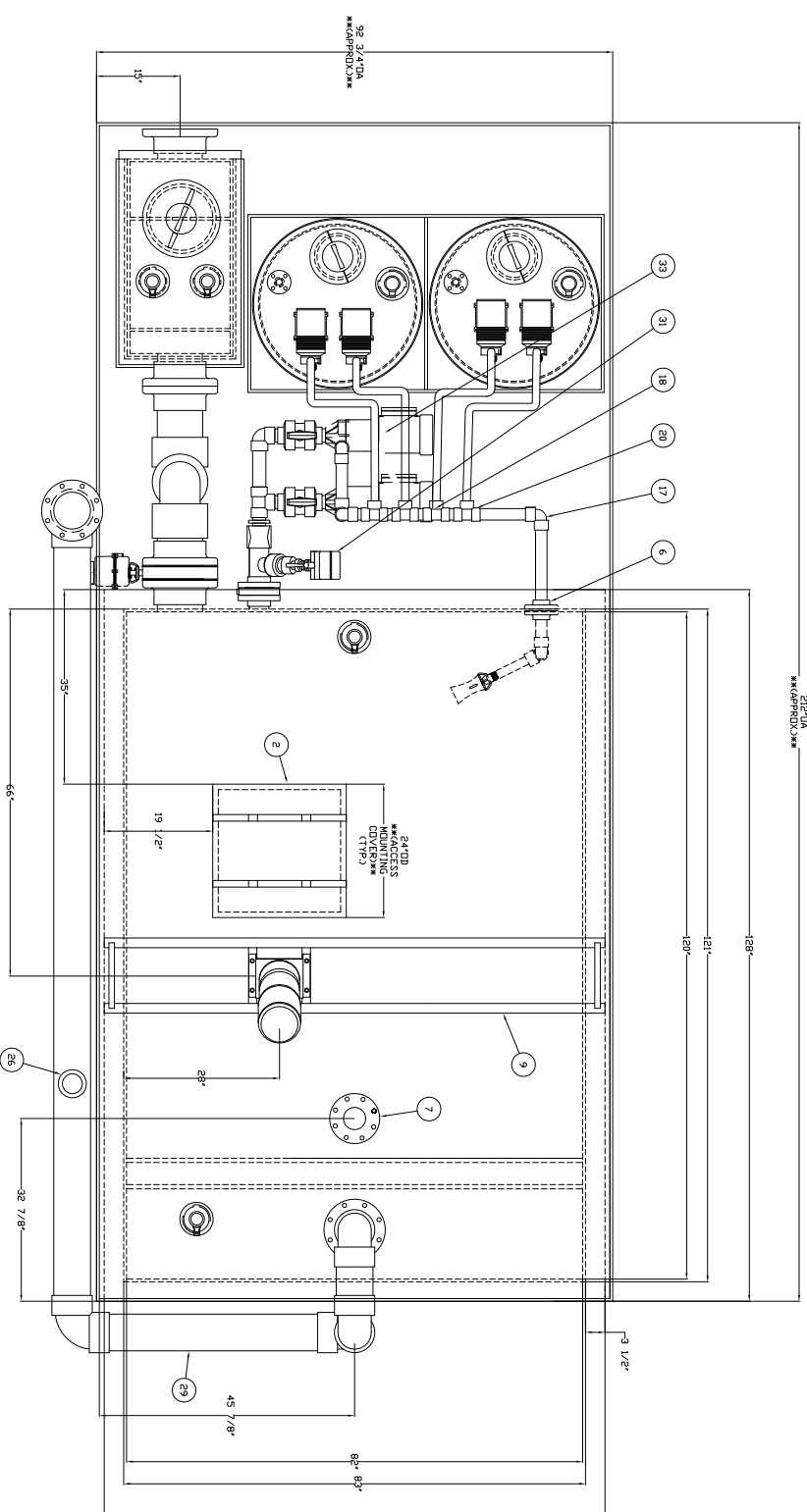
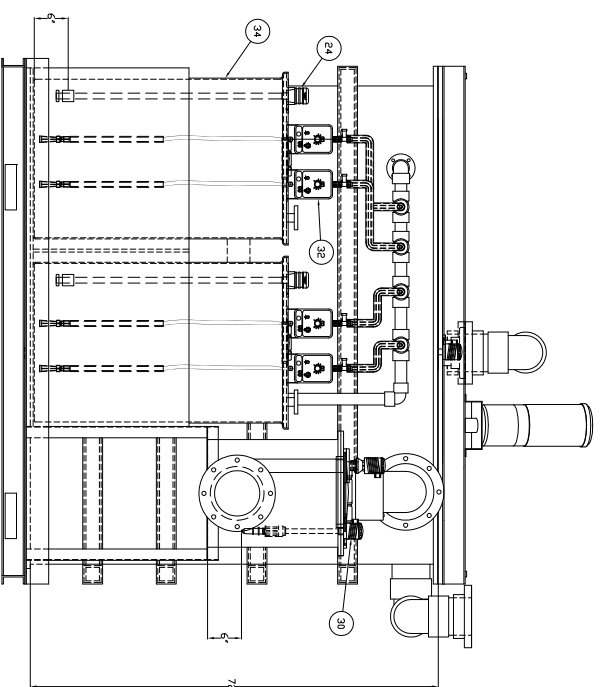


ITEM	QTY:	DESCRIPTION
1	1	1/2"THK. POL YPRDPPYLENE TANK (120"X82"X72") ID
2	1	3/4"THK. POL YPRDPPYLENE BOLT-DOWN GASKETED COVER (SIZE TO FIT)
3	1	3/4"THK. POL YPRDPPYLENE ROUTED/EXTRUSION WELDED BOTTOM
4	1	EMI GEAR DRIVE #FRG-7 MIXER (GHP.30,400RPM)
5	1	1 1/2"ØX58" LONG 316SS SHAFT & 316SS 19"Ø IMPELLER
6	1	1-1/2" POL YPRDPPYLENE FLANGE **PUMP RECIRCULATION INLET**
7	1	4" POL YPRDPPYLENE FLANGE **VENT**
8	1	6" POL YPRDPPYLENE FLANGE
9	A/R	4"X5.4#FT. HRS CHANNEL (MIXER RAILS)
10	2	3"X3X1/8"THK. HRS BOX TUBE GIRTH W/1/4"THK. POL YPRDPPYLENE ENCAPSULATION
11	1	3"X3X3/16"THK. HRS BOX TUBE GIRTH W/1/4"THK. POL YPRDPPYLENE ENCAPSULATION
12	3	2"X2"X3/16"THK. HRS BOX TUBE GIRTH W/1/4"THK. POL YPRDPPYLENE ENCAPSULATION
13	1	V-NOTCH WEIR
14	1	3" POL YPRDPPYLENE FLANGE **SUCTION**
15	1	8" POL YPRDPPYLENE FLANGE **OVERFLOW**
16	1	8" POL YPRDPPYLENE FLANGE **OUTLET**
17	3	1-1/2" POL YPRDPPYLENE 90° ELBOW
18	A/R	1-1/2" POL YPRDPPYLENE (SCH80) PIPE
19	1	1 1/2" POL YPRDPPYLENE EDUCTOR
20	3	1-1/2" POL YPRDPPYLENE TEE
21	1	1/2" POL YPRDPPYLENE H.C. W/ 1/2" TUBV **DRAIN**
22	2	3/4" THK. NAT POL YPRDPPYLENE BAFFLE
23	1	LU30 LEVEL CONTROL
24	2	LSF-60 LOW LEVEL CONTROL
25	4	6" POL YPRDPPYLENE ELBOW 90 DEGREES
26	1	PADDLEWHEEL FLOW SENSOR
27	1	LSF-60 HIGH LEVEL CONTROL
28	3	8" POL YPRDPPYLENE TEE
29	A/R	8" POL YPRDPPYLENE PIPE
30	2	3-2714 PH PROBE / 3-2720 PREAMP
31	1	3-2716-WT PH PROBE / 3-2720 PREAMP / 3-2719 INSERTION ASSEMBLY
32	2	METERING PUMP #LPH7MPTC3
33	2	TE-8C-IND PUMP
34	2	110 GALLON HDPE REAGENT TANK
35	1	8" POL YPRDPPYLENE FLANGE **OUTLET**
36	A/R	6X120H HRS I BEAM
37	A/R	6" POL YPRDPPYLENE PIPE
38	1	1-1/2" POL YPRDPPYLENE UNION
39	1	1/2" POL YPRDPPYLENE VALVE **TRAP DRAIN**
40	2	1-1/2" POL YPRDPPYLENE TRUE UNION BALL VALVE
41	2	1/2" POL YPRDPPYLENE TRUE UNION BALL CHECK VALVE
42	1	8" PP 90 DEGREE ELBOW
43	A/R	2" X 2" X 1/4" HRS ANGLE



NOTES:

NO.	DATE	REVISION DESCRIPTION	FJD
B	3/21/07	REVISION	FJD
A	1/9/2007	FIRST RELEASE - CUSTOMER APPROVAL	CVV

ESTIMATED WEIGHT	SERVICE REQ.
SHIPPING	PRIM. ELEC.
OPERATING	SEC. ELEC.
	PNEUMATIC
	WATER

BURT PROCESS
FLUID HANDLING EQUIPMENT SINCE 1970
 1050 SHERMAN AVE. HANDEEN, CT 06514 (833) 287-1985
 WWW.BURTPROCESS.COM

CUSTOMER: Atlantic Constructors
ENG. BY: FJD
DWN. BY: CVV
SCALE: NTS
BPE JOB NO.: 1016537
APP. BY: FJD
TITLE: ACS pH NEUTRALIZATION SYSTEM
DWG NO.: 1016537/PH
REV.: B

THIS DRAWING CONTAINS PROPRIETARY INFORMATION WHICH IS INTENDED FOR USE BY ONLY THOSE PARTIES LISTED AND MAY NOT BE MODIFIED, REPRODUCED, OR RETRANSMITTED WITHOUT THE CONSENT OF BURT PROCESS EQUIPMENT.