

COLORED LIGHT STROBE / HORN

Two Field Selective Tone & dBA Level with Selective Strobe.

CSH24W

INDOOR ONLY

Wall Mount

INSTALLATION INSTRUCTIONS



Fire Protective Visual Signaling Appliance.
Audible Signaling Appliance for Fire Alarm Service.

COLORED LIGHT STROBE

Exclusive Field Selective Strobe Low / High.

CSL24W

INDOOR ONLY

Wall Mount

INST. SHT. No.CSL/CSH-24W0001 : SH24W153075-H1019 S050930a

Description

AMSECO's UL listed Colored Light Strobe series, CSH24W Select-a-Horn/strobe and CSL24W Select-A-strobe series are designed to provide audible and visual signals for Fire Alarm Protection Systems and notification signals for the Purpose of life safety and property protection. They meet or exceed NFPA/ANSI standards and UL464/UL1638.

CSH24W combines a selective 2 tone horn with a colored light Select-A-Strobe. The horn provides a continuous tone or temporal pattern (code3) tone when constant voltage from a Fire Alarm Control Panel is applied. Each tone has two dBA levels (High and Low) selected by jumper. The colored light strobe can be selected either Low or High by a selectable switch located on the front housing.

The CSH24W audible/visual signals can be connected either independently or in unison. The horn can be silenced while the strobes remain flashing. Refer to the wiring diagram Fig.1, or dBA refer to Table 1.

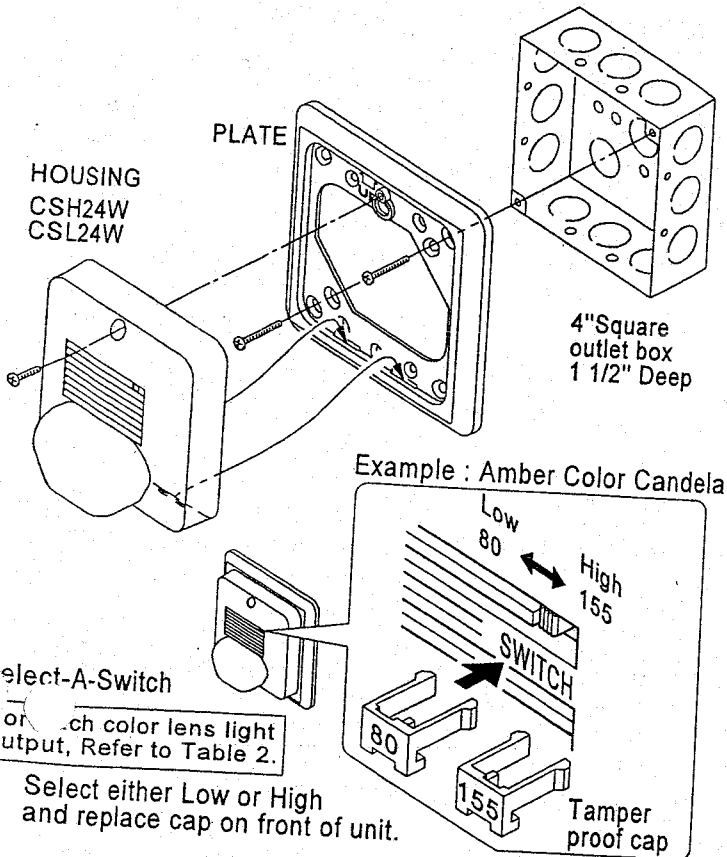
The colored light strobe CSL24W is in compliance with UL1638 visual signaling appliances that is ideal for any occupancy requiring visual notifications appliances per applicable building or fire code or wherever dependable alarms are required. The color is available in Amber, Blue, Green, Red and White. The light output candela ratings vary depending on the Lens color. Refer to the light output Table 2.

The CSH24W/CSL24W series are polarized and have screw terminals for IN/OUT wiring connections using #12 to #18 AWG wires.

In those instances where AMSECO two or more horns and/or strobes are connected and requires a synchronized code 3 temporal pattern and/or a synchronized strobe flash, all models can be synchronized when used in conjunction with AMSECO UL listed Sync Module SMD10-3A to meet the latest code.

Note 1: Installation must comply in accordance with applicable standards such as NFPA 72, ANSI 117.1, UL1638, UL464, Canadian Electrical Code, part 1, and all state local codes.

Installation



Locate the Tone Select Jumper as shown in Fig.A. For tone selection, set the jumper as shown in Fig.B. Select strobe light output Low/High by the Select-A-Switch located on the front housing. Make sure you place the tamper proof cap provided showing the candela rating. Connect all wires appropriately as shown in the wiring diagram.

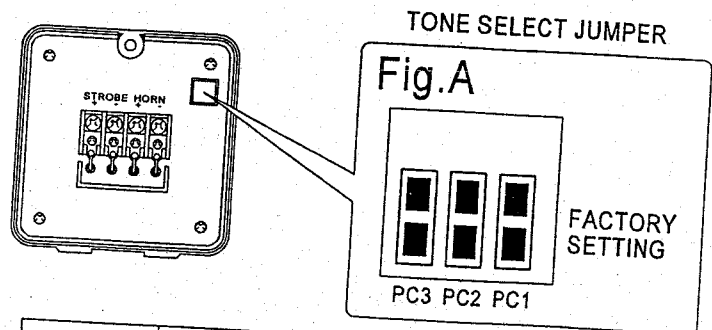
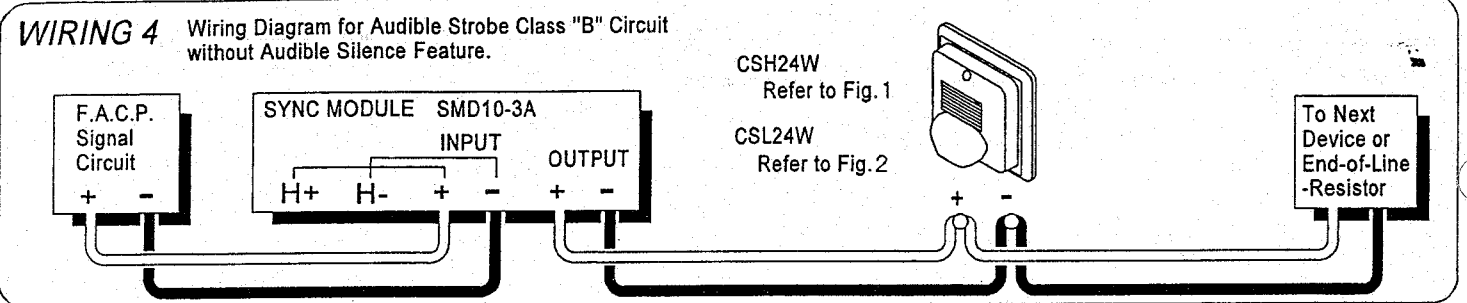
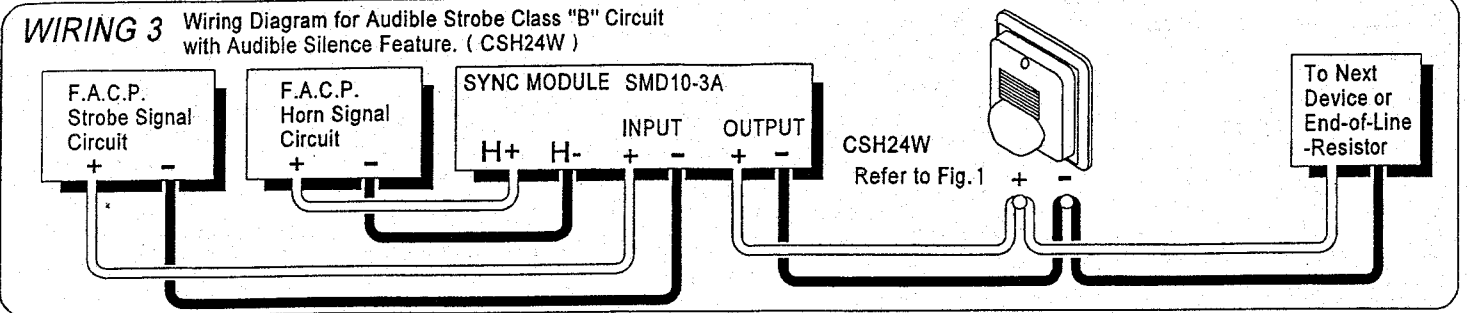
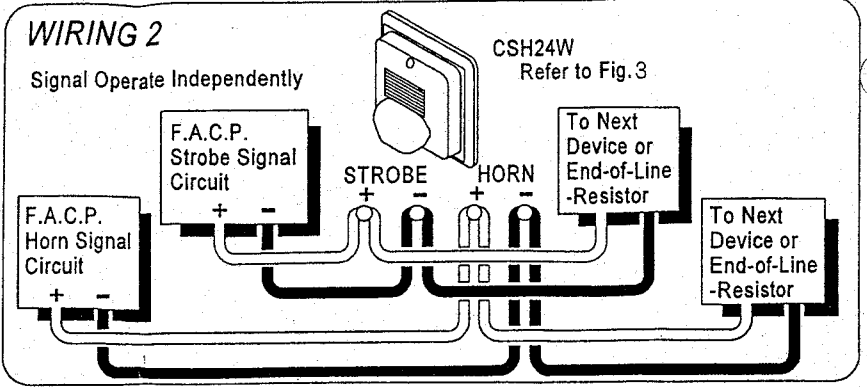
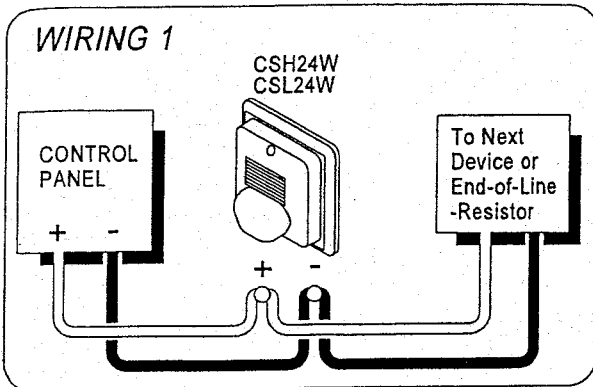


Fig.B

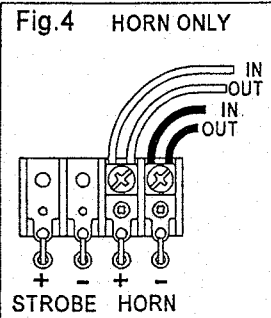
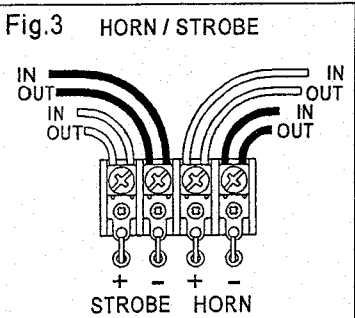
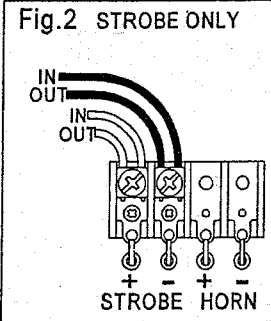
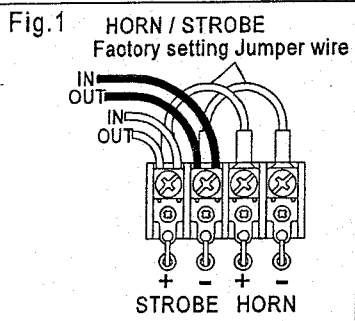
JUMPER	PC3 PATTERN	PC2 TONE	PC1 VOLUME
	NON TEMPORAL	ELECTRO MECHANICAL	HIGH
	TEMPORAL	3000Hz	LOW

Wiring Diagram

Wiring (Rear view) Observe Polarity Use both terminals (or leads) for connection. Break wire run to provide electrical supervision.



Refer to the SMD10-3A Sync Module instruction manual for Class "A" wiring or other application diagrams.



For a synchronization system, the maximum number of strobe lights that can be connected to a listed Fire Alarm Control Panel is 30 (Low cd, 16 ~33VDC) or 18 (High cd, 16~33V FWR) , 22 (Low cd, 16 ~33VDC) or 13 (High cd, 16~33V FWR) . (Use AMSECO Sync module SMD10-3A)

The maximum wire impedance between any adjacent strobe lights is 5.6 ohm.

$$\text{MAX. WIRE DISTANCE (IN FEET)} = \frac{(\text{PANEL VOLTAGE-APPLIANCE MIN. VOLT}) \times \text{WIRE CONDUCTIVITY}}{\text{TOTAL CURRENT DRAW}}$$

WIRE	CONDUCTIVITY
18AWG	60
16AWG	95
14AWG	153
12AWG	244

Includes wire to and from appliance.
CAUTION: Applies only to regulated supplies. Assumes all appliances are at the end of wire run (worst case) .

WARNING
High voltage may be present inside the light assembly even though power is not connected. If access to the component board is required (removal or replacement) , the capacitor must be discharged by touching a wire to both ends of the flashtube.

*DO NOT ATTEMPT TO TOUCH OR MOVE THE ASSEMBLY UNTIL THE CAPACITOR HAS BEEN DISCHARGED.
*INDOOR USE ONLY.
INST. SHT. No.CSL/CSH-24W0001 : SH24W153075-H1019 S050930b

Specifications

TABLE 1

■ = 1 □ = 0

■ Horn & Strobe
CSH24W

Voltage	24V
UL designation	Regulated 24 DC/FWR
Operating Voltage Range	16~33 VDC 16~33 VFWR
Flash Rate	60 times / min.
Light Output Select	Low High
Sync module (SMD10-3A)	Available
Operating Temperature Range	32~120° F (0~49° C)
Material	Housing : A.B.S. Lens : Polycarbonate
Construction	INDOOR USE

PC3 Pattern	PC2 Tone	PC1 Volume	P3	P2	P1	Max. RMS Operating Current (mArms)		Min. Sound Output (dBA@10ft per UL464)			
						Regulated 24 DC	Regulated 24 FWR				
Horn & Strobe Low	NON-TEMP.	ELECTRO MECHANICAL	HIGH	1	1	1	112	145	83		
			LOW	1	1	0	109	142	74		
		3000 Hz	HIGH	1	0	1	118	153	84		
			LOW	1	0	0	106	139	74		
		TEMPORAL	ELECTRO MECHANICAL	HIGH	0	1	1	112	145	79	
				LOW	0	1	0	109	142	69	
	Horn & Strobe High	NON-TEMP.	ELECTRO MECHANICAL	HIGH	1	1	1	158	207	83	
				LOW	1	1	0	155	204	74	
			3000 Hz	HIGH	1	0	1	164	215	84	
				LOW	1	0	0	152	201	74	
			TEMPORAL	ELECTRO MECHANICAL	HIGH	0	1	1	158	207	79
					LOW	0	1	0	155	204	69
Horn only	NON-TEMP.	ELECTRO MECHANICAL	HIGH	1	1	1	57	91	83		
			LOW	1	1	0	42	44	74		
		3000 Hz	HIGH	1	0	1	70	68	84		
			LOW	1	0	0	36	38	74		
		TEMPORAL	ELECTRO MECHANICAL	HIGH	0	1	1	57	91	79	
				LOW	0	1	0	42	44	69	
	Strobe Light only		NON-TEMP.	HIGH	0	0	1	70	68	80	
				LOW	0	0	0	36	38	70	
			3000 Hz	HIGH	0	0	1	70	68	80	
				LOW	0	0	0	36	38	70	

	Max. RMS Operating Current (mArms)	
	Regulated 24 DC	Regulated 24 FWR
Low	88	127
High	134	184

NOTE : The low volume setting are not suitable to use for Fire Alarm Public Mode, (Suitable for General and Private Modes only).

■ Strobe Light
CSL24W

	Max. RMS Operating Current (mArms)	
	Regulated 24 DC	Regulated 24 FWR
Low	83	120
High	128	175

Light Output Dispersion

Colored Lens Light Output

TABLE 2

WHITE COLOR HOUSING MODEL	RED COLOR HOUSING MODEL	Lens Color	Light Output on Axis (cd)					
			Low			High		
			16V	24V	33V	16V	24V	33V
CSH24W -AW CSL24W -AW	CSH24W -AR CSL24W -AR	Amber	75	80	83	145	155	160
CSH24W -BW CSL24W -BW	CSH24W -BR CSL24W -BR	Blue	40	45	46	79	86	88
CSH24W -GW CSL24W -GW	CSH24W -GR CSL24W -GR	Green	79	90	90	154	173	172
CSH24W -RW CSL24W -RW	CSH24W -RR CSL24W -RR	Red	35	38	40	68	74	76
CSH24W -WW CSL24W -WW	CSH24W -WR CSL24W -WR	White	27	30	31	53	58	60

Light output measurement rating is calculated

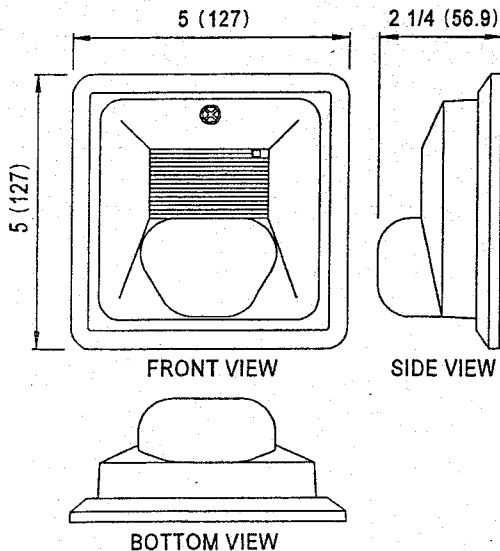
UL1638 - Visual Signaling Appliances - Private Mode Emergency and General Utility Signaling.

Sound Output Dispersion

CSH24W

Degrees	Horizontal	Vertical
+90	-6 dB	-3 dB
+60	-2 dB	-2 dB
+30	-1 dB	-1 dB
0	0 dB	0 dB
-30	-1 dB	-3 dB
-60	-2 dB	-5 dB
-90	-6 dB	-6 dB

Dimensions : inch (mm)



PACKAGE INCLUDES

- * #8-32x1" screws 2pcs.
- * Tamper proof cap 2pcs.
- * Alert decals 2sheets
- * Light output label 1sheet

We recommend use of this product in accordance with installation instructions provided in this manual.

INST. SHT. No.CSL/CSH-24W0001 : SH24W153075-H1019 S050930d



2081 Craig Rd. St. Louis, MO,63146-4161
Phone:800-325-3936/Canada 888-882-1833
www.pottersignal.com