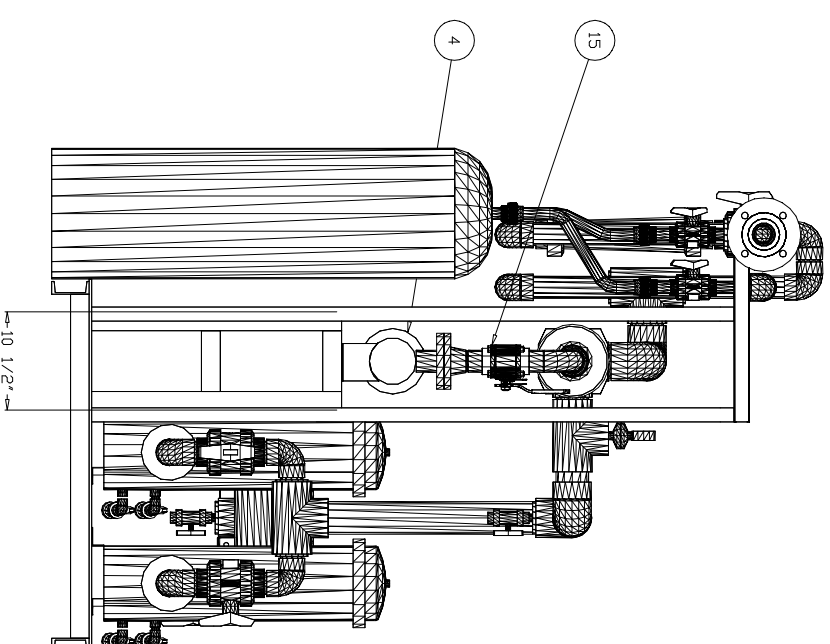
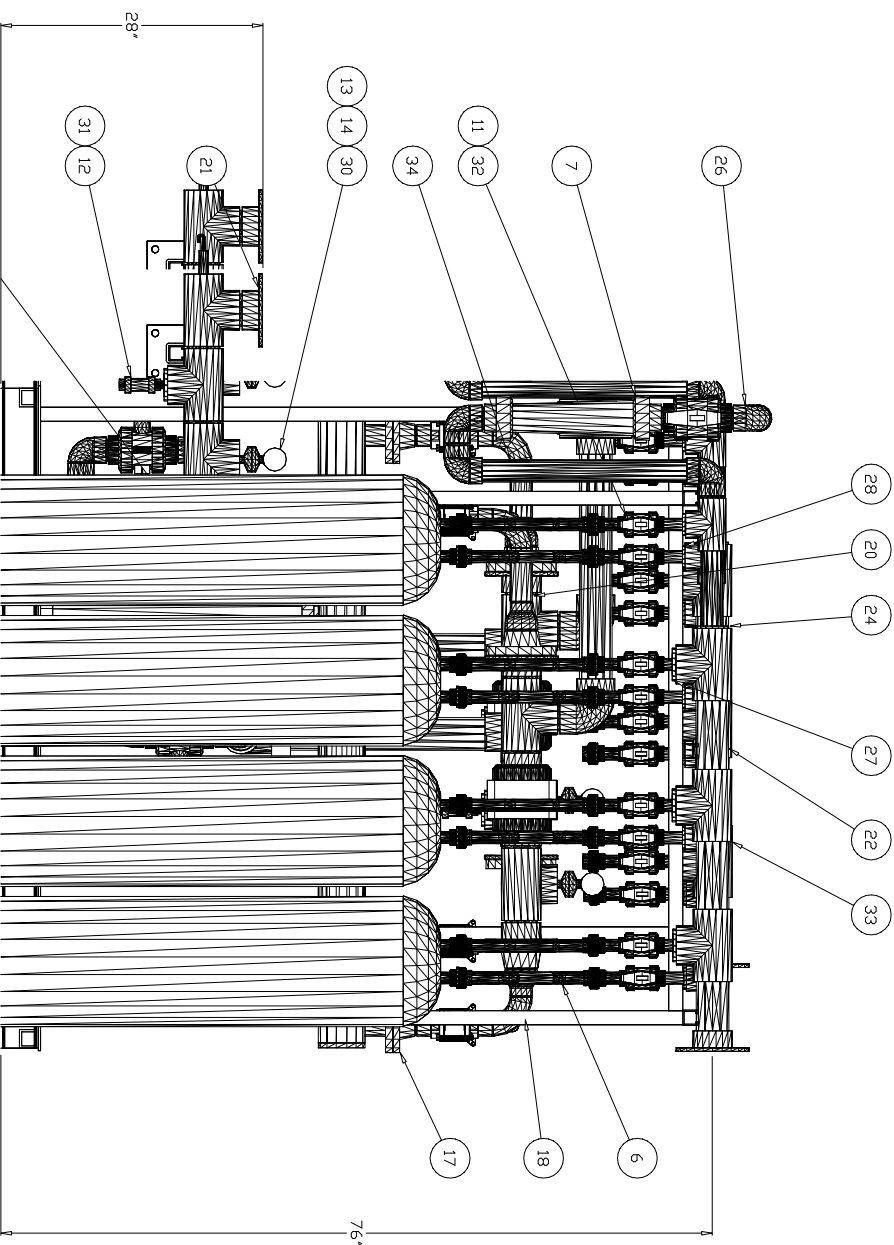


ITEM	QTY.	DESCRIPTION
1	1	ULTRAVIOLET STERILIZER/CARTRIDGE FILTER SKID W/ELMENT
2	2	4 ROUND x 20" CARTRIDGE FILTER HOUSING #4F02
3	8	CARTRIDGE FILTERS 02u
4	1	ULTRAVIOLET STERILIZER 2" FLANGE 316L SST #54M #AAG-100
5	4	DEIONIZATION BOTTLES
6	A/R	1" HOSE
7	1	ROTAMETER 2" FNPT #F-452
8	1	RESISTIVITY SENSOR
9	1	3" BALL VALVE PP
10	5	2" BALL VALVE PP
11	8	1" BALL VALVE PP
12	4	1/2" BALL VALVE PP
13	2	PRESSURE INDICATOR
14	2	GAUGE GUARD PP 1/2" FNPT
15	2	2" BALL VALVE SST 9PC
16	2	3" WELDNCK FLANGE SST
17	4	2" WELDNCK FLANGE SST
18	2	2" ELBOW BW SST
19	2	3" X 2" CONCENTRIC REDUCER BW SST
20	A/R	2" PIPE SST
21	4	3" FLANGE PP
22	13	3" TEE PP
23	4	3" ELBOW PP
24	7	3" X 2" REDUCING BUSHING PP
25	4	2" TEE PP
26	17	2" ELBOW PP
27	3	3" X 1" REDUCING BUSHING PP
28	5	2" X 1" REDUCING BUSHING PP
29	1	ADAPTER PP 3"ID X 3/4"FNPT
30	2	ADAPTER PP 3"ID X 1/2"FNPT
31	2	ADAPTER PP 3"ID X 1/2"SDC
32	8	1" QUICK DISCONNECTS
33	A/R	3" PIPE PP
34	A/R	2" PIPE PP
35	4	1/2" ELBOW PVC



**NOTES:**  
 1. ALL STEEL TO BE SANDBLASTED  
 PRIMED AND PAINTED WITH BPE  
 BLUE EPOXY.

NO.	DATE	DESCRIPTION	BY
A	12/8/2006	FIRST RELEASE - CUSTOMER APPROVAL	CVW

ESTIMATED WEIGHT	SERVICE REQ.
SHIPPING	PRIM. ELEC.
OPERATING	SEC. ELEC.
	PNEUMATIC
	WATER

**BPE** BURT PROCESS  
 FLUID HANDLING EQUIPMENT SINCE 1970  
 1030 SHERMAN AVE. HAMBEN, CT 06314 (833) 287-1985  
 WWW.BURTPROCESS.COM

**CUSTOMER:**  
 Atlantic Constructors  
 College of William and Mary

**ENG. BY:** FJD  
**DWN. BY:** CVW

**SCALE:** N/A  
**BPE JOB NO.:** 1016536  
**APP. BY:** FJD

**TITLE:**  
 Ultraviolet Sterilizer /  
 Cartridge Filter Assembly

**DWG NO.:** 1016536UVCF  
**REV.:** A

THIS DRAWING CONTAINS PROPRIETARY INFORMATION WHICH IS INTENDED FOR USE BY ONLY THOSE PARTIES LISTED AND MAY NOT BE MODIFIED, REPRODUCED, OR RETRANSMITTED WITHOUT THE CONSENT OF BURT PROCESS EQUIPMENT.