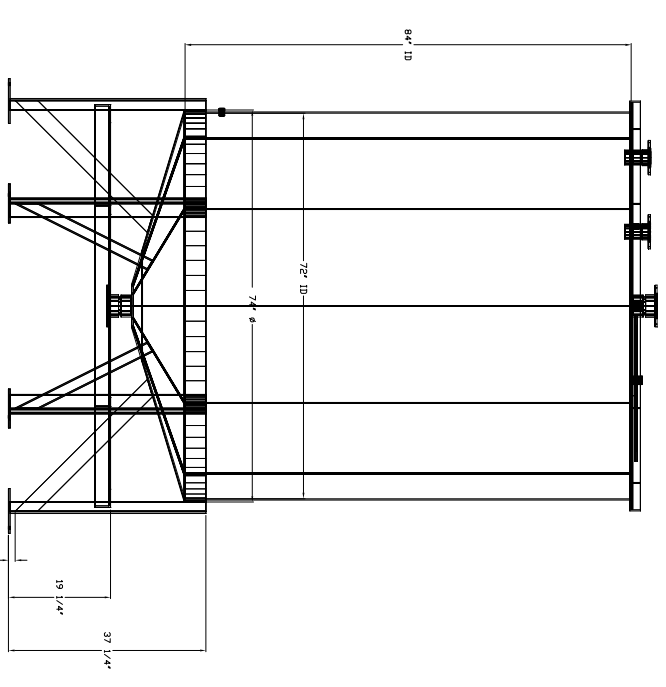
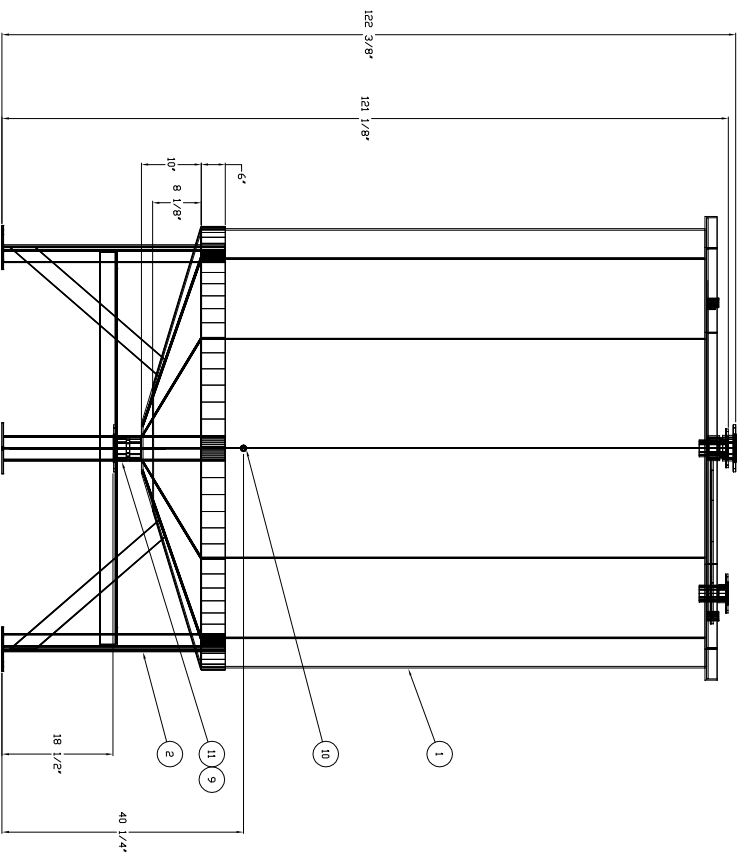


ITEM	QTY.	DESCRIPTION
1	1	1500 GALLON POLYPROPYLENE CYLINDRICAL CONE BOTTOM TANK
2	1	STORAGE TANK WELDMENT
3	1	2" FLANGE PP **VACUUM RELIEF**
4	1	2" FLANGE PP **SPARE**
5	1	1" COUPLING PP **VENT FILTER**
6	1	1" COUPLING PP **PRESSURE INDICATOR**
7	1	1/2" COUPLING PP **RGD FEED**
8	1	MANWAY COVER
9	1	3" FLANGE PP **RETURN LOOP**
10	1	1" COUPLING PP **LEVEL SENSOR**
11	1	3" FLANGE PP **DISTRIBUTION FEED**
12	1	MANWAY RING

NOTES:
 1. ALL STEEL TO BE SANDBLASTED
 PRIMED AND PAINTED WITH BPE
 BLUE EPOXY.



NO.	DATE	DESCRIPTION	BY
A	12/22/08	FIRST RELEASE - CUSTOMER APPROVAL	CW

REVISIONS	
ESTIMATED WEIGHT	SERVICE REQ.
SHIPPING	PRIM. ELEC.
OPERATING	SEC. ELEC.
	PNEUMATIC
	WATER

BPE BUPT|PROCESS
 FLUID HANDLING EQUIPMENT SINCE 1970
 1050 SHERMAN AVE. HAMDEN, CT 06514 (203) 287-1985
 WWW.BUPTPROCESS.COM

CUSTOMER:
Atlantic Constructors
 College of William and Mary

SCALE: N/A
SHIPPING: N/A
OPERATING: N/A

TITLE:
 Storage Tank

DWG NO.:	1016536	REV.:	A
1016536TANK	1	0" 1	A

THIS DRAWING CONTAINS PROPRIETARY INFORMATION WHICH IS INTENDED FOR USE BY ONLY THOSE PARTIES LISTED AND MAY NOT BE MODIFIED, REPRODUCED, OR RETRANSMITTED WITHOUT THE CONSENT OF BUPT PROCESS EQUIPMENT.