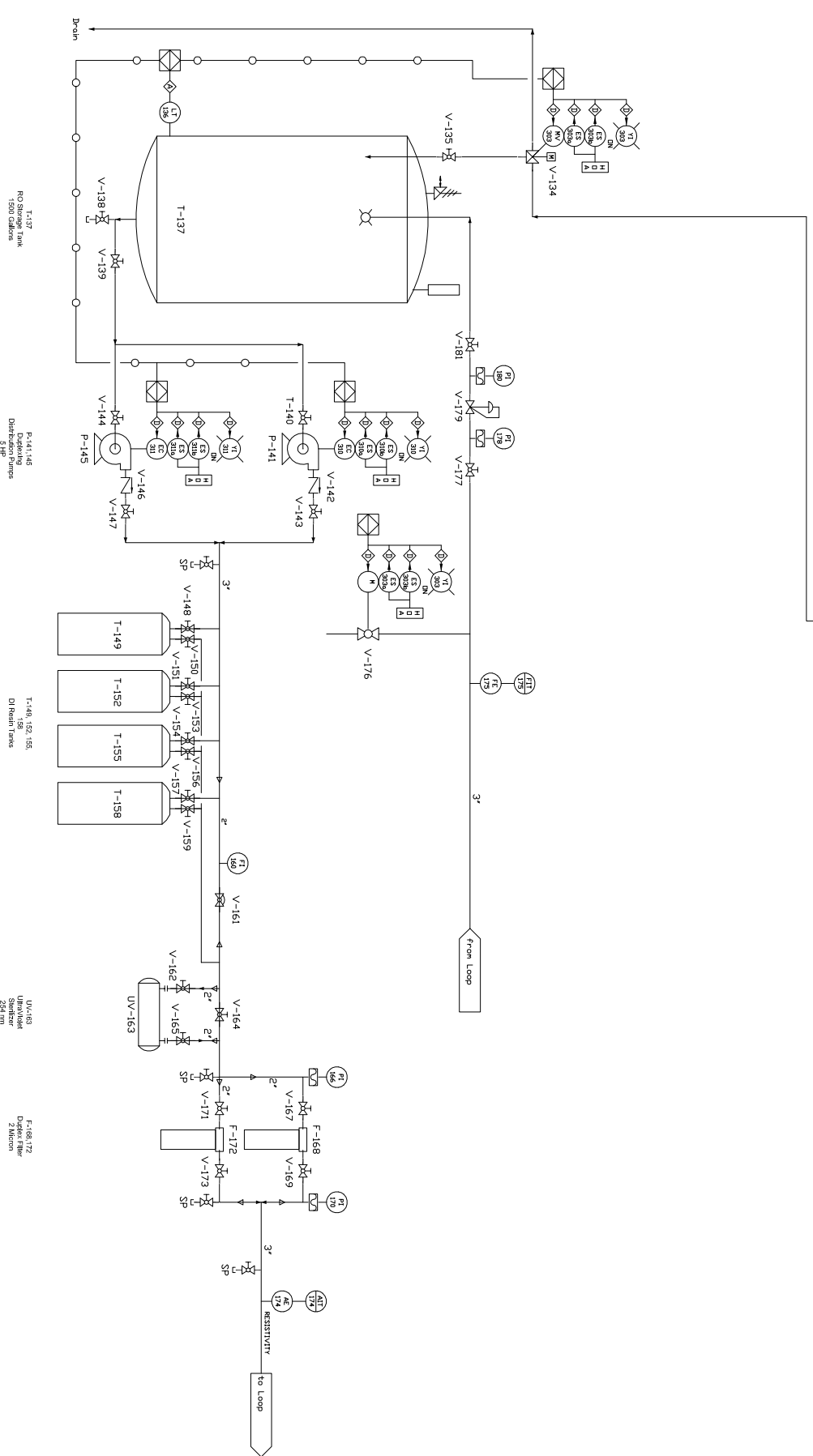
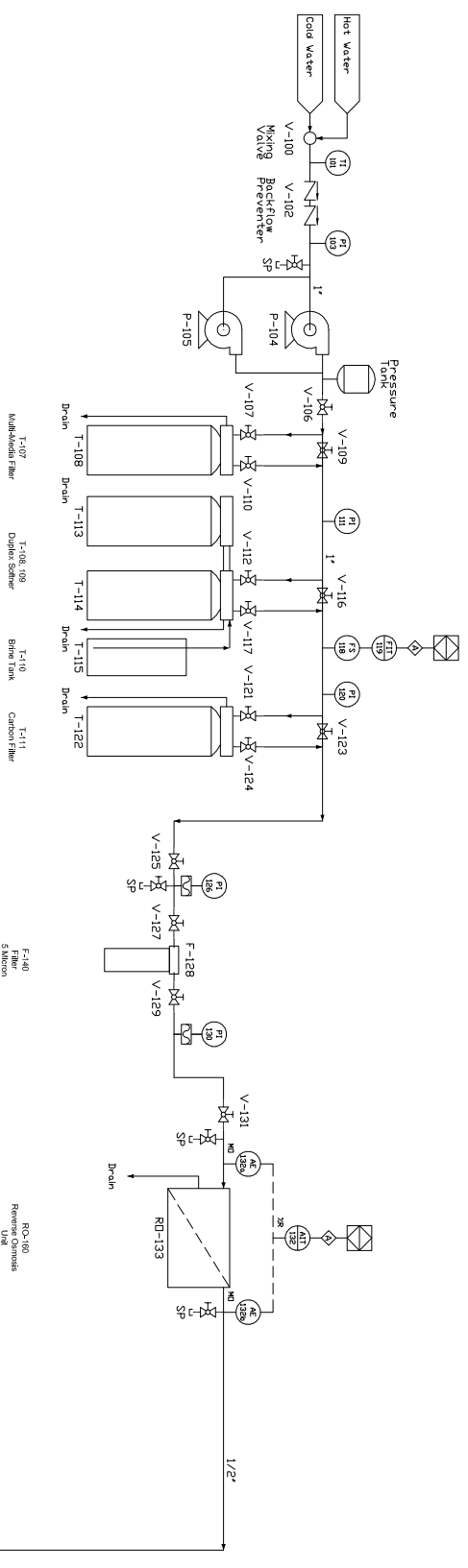


NOTES:



| NO. | DATE | DESCRIPTION | BY |
|-----|----------|-------------|-----|
| A | 12/2/106 | First Issue | JDB |

| ESTIMATED WEIGHT | SERVICE REQ. |
|------------------|-----------------|
| SHIPPING | PRIM. ELEC. |
| OPERATING | SEC. ELEC. |
| | PNEUMATIC WATER |

BURT PROCESS
FLUID HANDLING EQUIPMENT SINCE 1970
 1050 SHERMAN AVE. HANDEEN, CT 06514 (833) 287-1985
 WWW.BURTPROCESS.COM

CUSTOMER: ATLANTIC CONSTRUCTORS
RODI SYSTEM

ENG. BY: FJD
DWN. BY: JDB
APP. BY: FJD

SCALE: NTS
BPE JOB NO.: 1016536
APP. BY: FJD

RODI SYSTEM P&ID

| DWG NO.: | REV.: |
|------------|-------|
| 1016536PID | A |

THIS DRAWING CONTAINS PROPRIETARY INFORMATION WHICH IS INTENDED FOR USE BY ONLY THOSE PARTIES LISTED AND MAY NOT BE MODIFIED, REPRODUCED, OR RETRANSMITTED WITHOUT THE CONSENT OF BURT PROCESS EQUIPMENT.